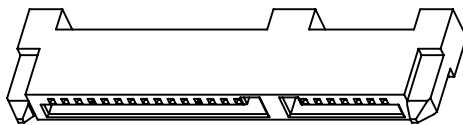
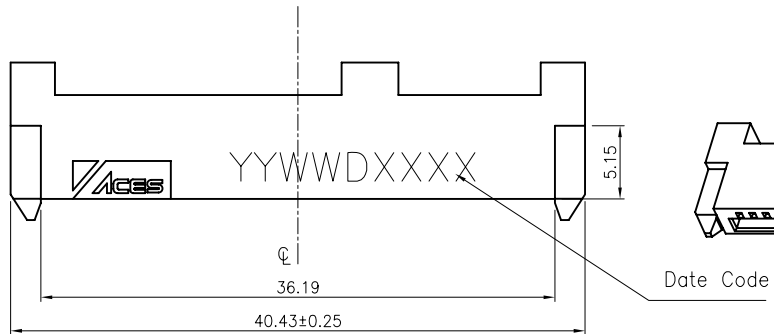




A B C D E F



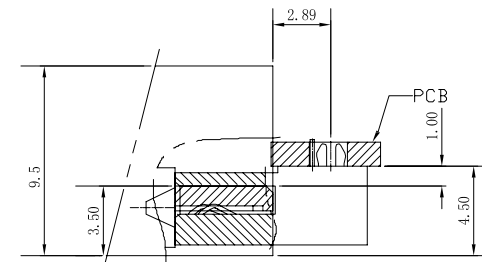
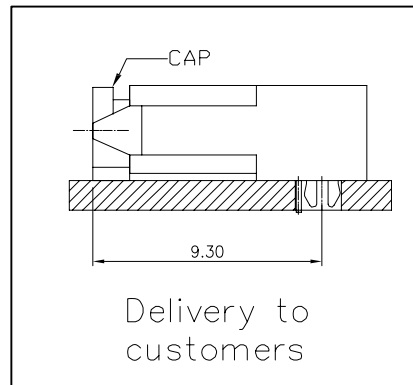
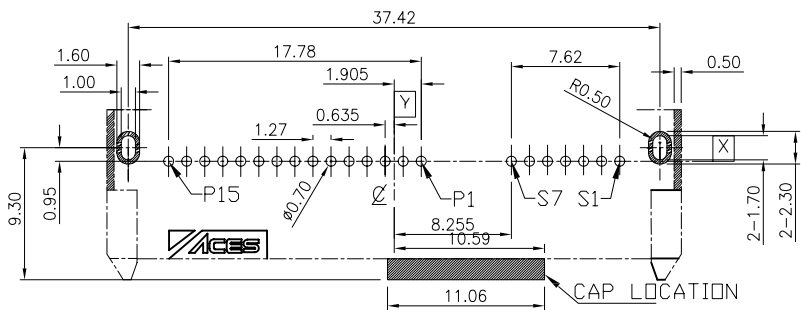
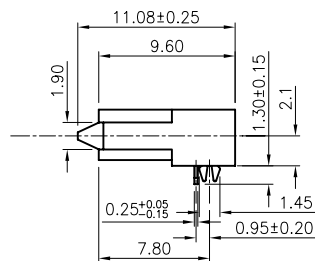
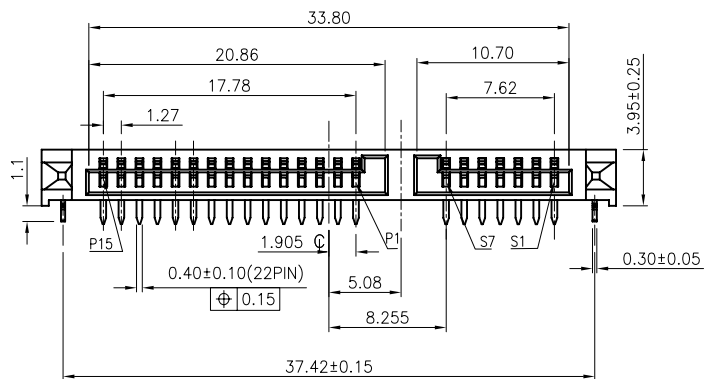
NOTES:

1. MATERIAL:
  - 1.1 HOUSING: THERMOPLASTIC, HIGH TEMP., UL94V-0.
  - 1.2 CONTACT: COPPER ALLOY.
  - 1.3 FORK: COPPER ALLOY.
2. FINISH:
  - 2.1 CONTACT:
    - GOLD FLASH PLATED ON CONTACT AREA,
    - 50u" MIN MATTE TIN PLATDE ON SOLDER AREA
    - 50u" MIN NICKEL UNDERPLATING OVERALL.
  - 2.2 FORK:
    - 50u" MIN MATTE TIN PLATED ON SOLDER TAILS
    - 50u" MIN NICKEL UNDERPLATING OVERALL.
3. REFLOW SOLDER CAPABLE TO 260°C PER ACES SPEC.
4. SPEC. PLS REFER TO PS-50800-XXXX-XXX
5. PACKAGE PLS REFER TO 50824-XXXX-XX-TRP
6. PART NUMBER

50824-XXX X X-001

NO OF CKT  
022:22PIN  
PACKING  
7:TAPE & REEL WITH COVER

PLATING  
P: GOLD FLASH PLATING ON CONTACT AND MATT TIN ON SOLDER AREA  
T:10u" GOLD ON CONTACT AND MATT TIN ON SOLDER AREA



Mating drawing

RECOMMEND P.C.B. LAYOUT (component side)  
DEFAULT TOLERANCES:±0.05; PCB THICKNESS : 1.2MM

一般公差 <b>TOLERANCES</b> X. ±0.5 XX ±0.15 X ±0.25 XXX ±0.1 ANGLES ±2°		<b>宏致電子股份有限公司</b> <b>Aces Electronics Co.,Ltd.</b>		
檢驗尺寸標示 SYMBOLS ① ② INDICATE CLASSIFICATION DIMENSION		品名 (TITLE) SATA HDD RECEPTACLE CH=2.1mm		製圖 (DR) 15'/01/21 SKY
③ MARK IS CRITICAL DIM. ④ MARK IS MAJOR DIM.		圖號 (DWG NO.) 50824-XXXX-XXX		審核 (CHKD) DAVID
表面處理 (FINISH)		比例 (SCALE) 1:1	單位 (UNITS) mm	核准 (APPD) FRANK
		張數 (SHEET) 1 OF 1	尺寸 (SIZE) A4	版次 (REV) 0

A B C D E F